

With Aeroptex fabric

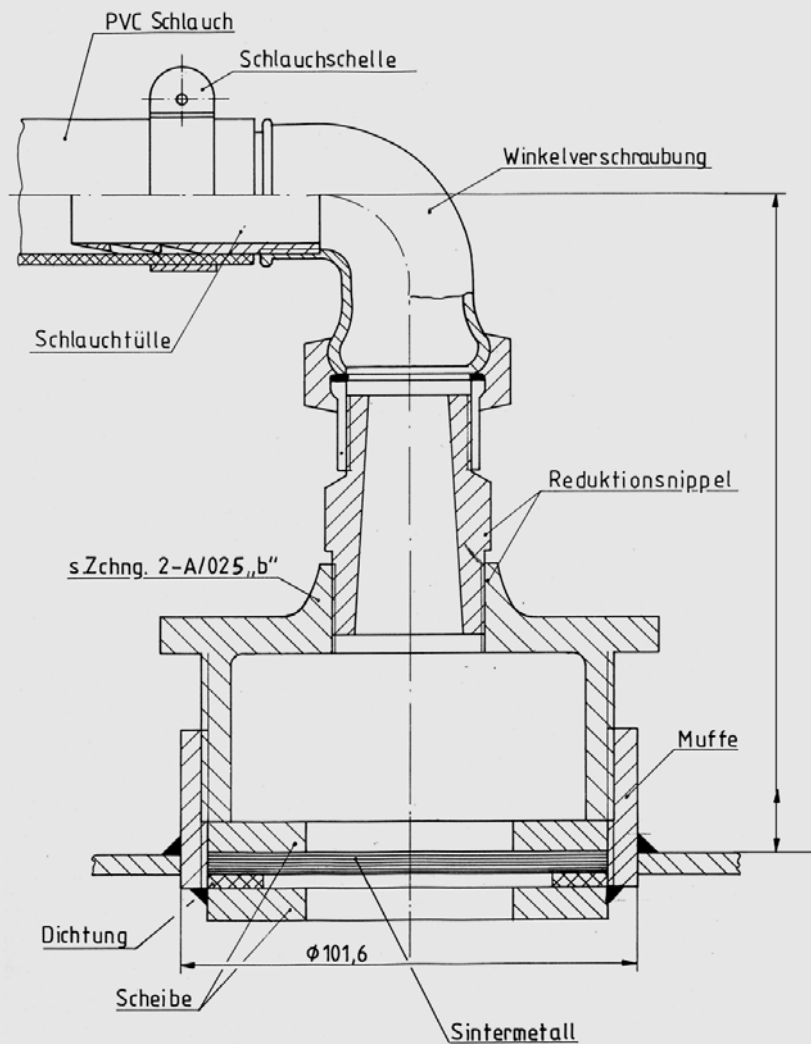
Aeration Nozzle DN 80

- With Aeroptex fabric
- With sintered metal

AERATION NOZZLE DN 80

Maßblatt: 4-A/026 und 4-A/027

With sintered metal



Area of application:

To be used mainly in smaller silos for fluidizing powder bulk material. Also applicable in larger silos for powder bulk material requiring only little aeration (cement, for example).

Material:

Housing: GG
 Inlay: Aeropertex fabric
 or sintered metal

Layout and operating principle:

A complete aeration system consists of several aeration nozzles which need to be arranged in a certain manner depending on the conditions given. Each aeration system is connected to a ring line and can easily be separated in different aeration sections.

Electrical components:

For aeration a 2/2-way solenoid valve is used in the desired protection class and voltage.

Operating data:

Aeration pressure: 2000 - 8000 mm WS
 Air volume: 0,01 Nm³ / min per nozzle
 Temp.- resistance: up to max. 140 °C